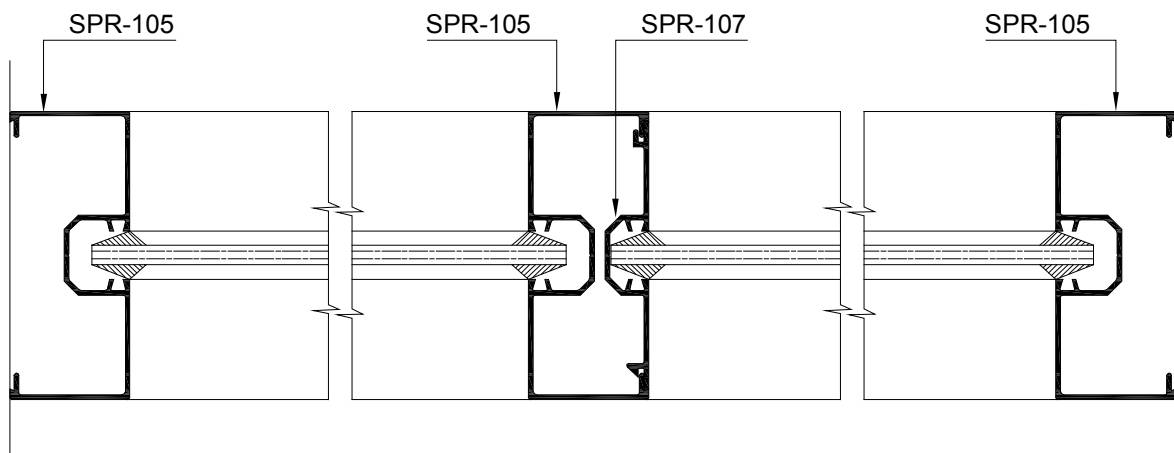


ELEVATION

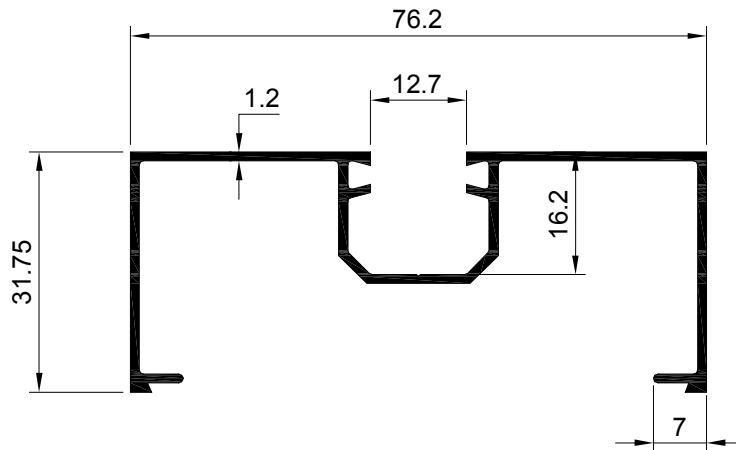
SECTION :- A - A



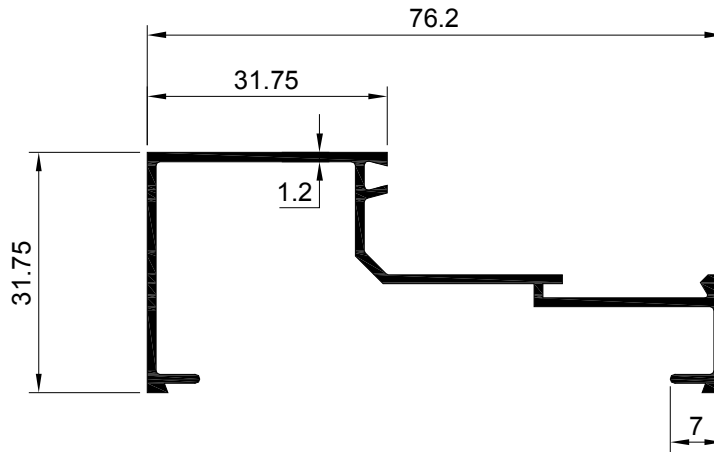
SECTION :- B - B

76mm Shopfront

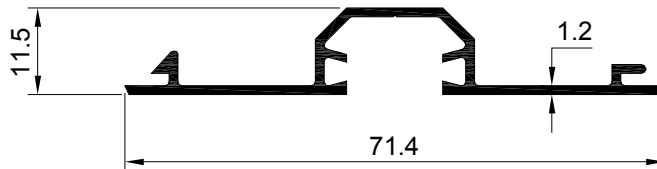
Group 11
Page 02



SECTION NO. - SPR - 105
EST. WEIGHT - 0.624 KG./M.

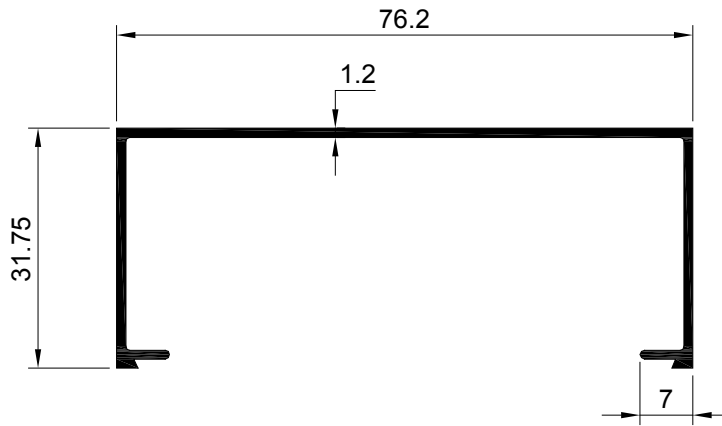


SECTION NO. - SPR - 106
EST. WEIGHT - 0.533 KG./M.

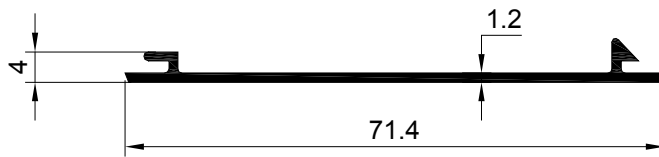


SECTION NO. - SPR - 107
EST. WEIGHT - 0.365 KG./M.

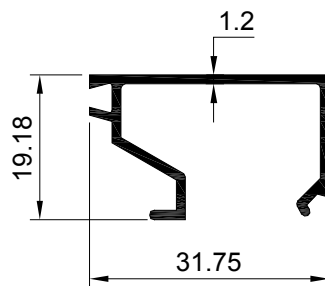
76mm Shopfront



SECTION NO. - SPR - 108
EST. WEIGHT - 0.491 KG./M.

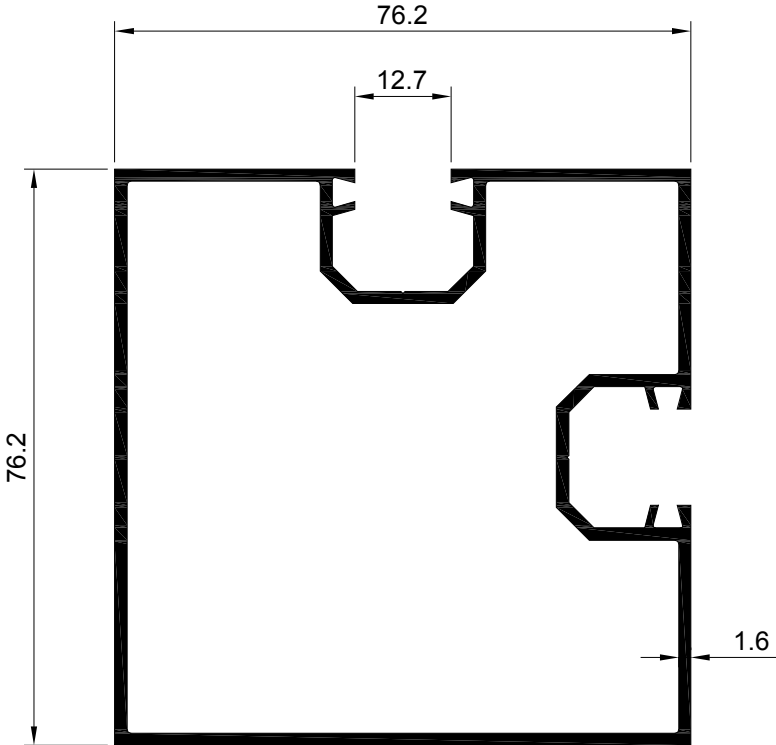


SECTION NO. - SPR - 109
EST. WEIGHT - 0.273 KG./M.

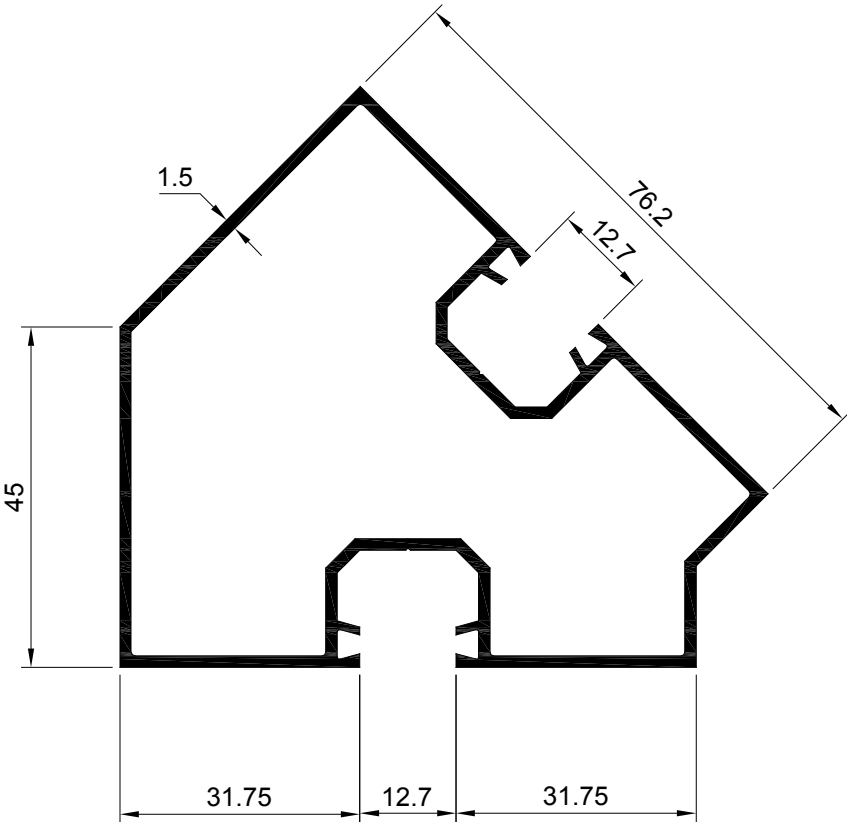


SECTION NO. - SPR - 110
EST. WEIGHT - 0.265 KG./M.

76mm Shopfront



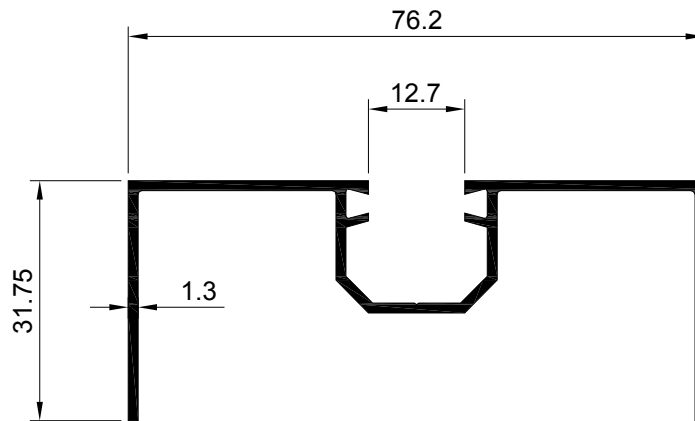
SECTION NO. - SPR - 4523
EST. WEIGHT - 1.610 KG./M.



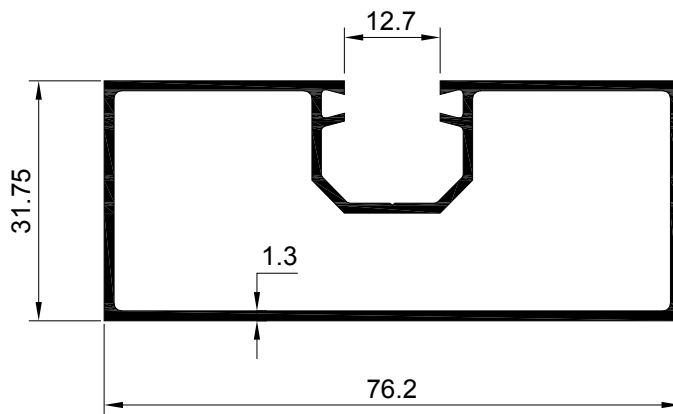
SECTION NO. - SPR - 4524
EST. WEIGHT - 1.365 KG./M.

76mm Shopfront

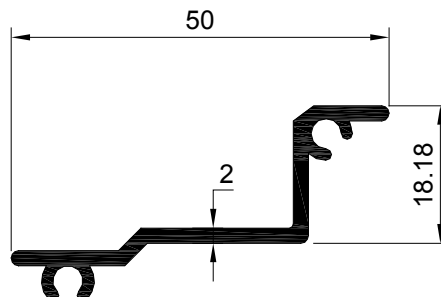
Group 11
Page 05



SECTION NO. - ALU - 07
EST. WEIGHT - 0.619 KG./M.



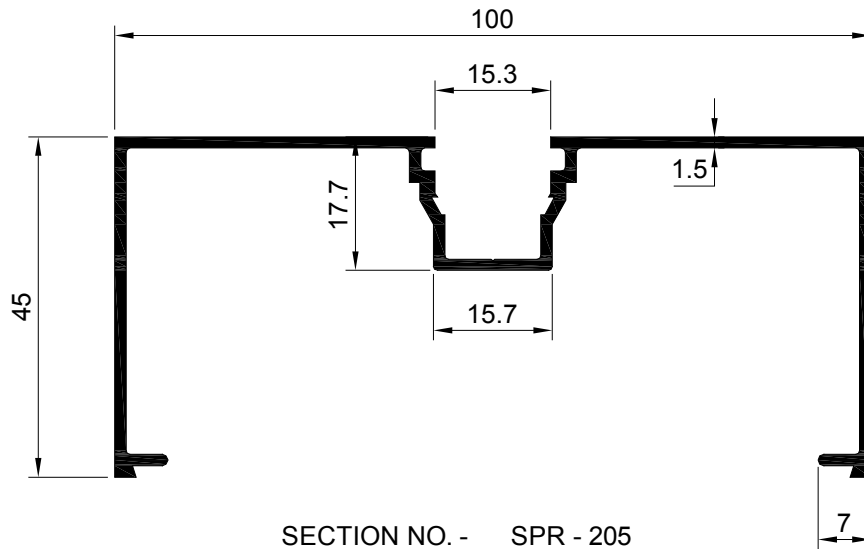
SECTION NO. - SPR - 4522
EST. WEIGHT - 0.887 KG./M.



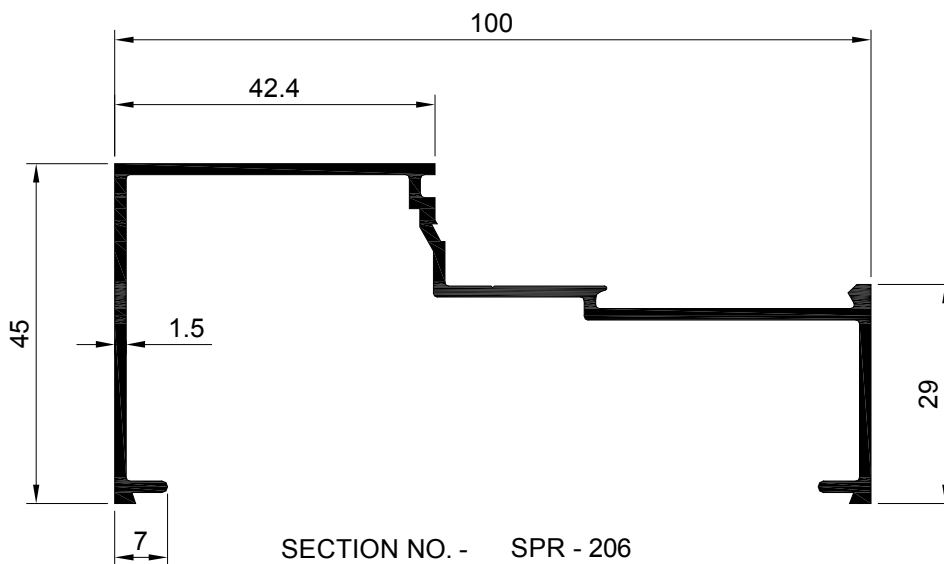
SECTION NO. - SPR - 4521
EST. WEIGHT - 0.421 KG./M.

100mm Shopfront

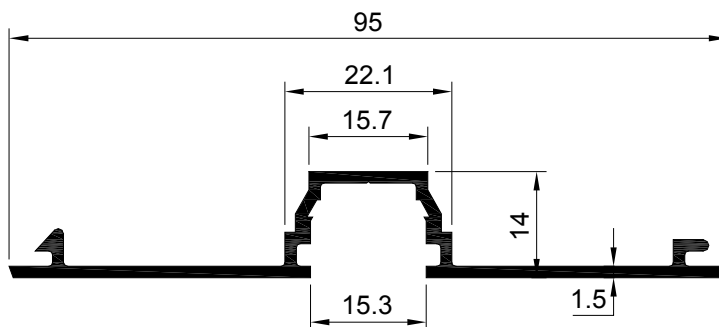
Group 11
Page 06



SECTION NO. - SPR - 205
EST. WEIGHT - 0.957 KG./M.

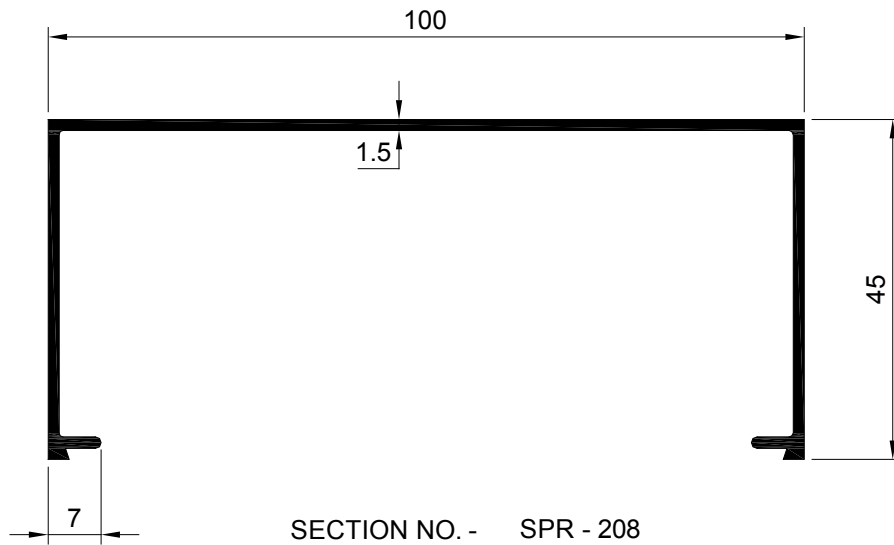


SECTION NO. - SPR - 206
EST. WEIGHT - 0.842 KG./M.

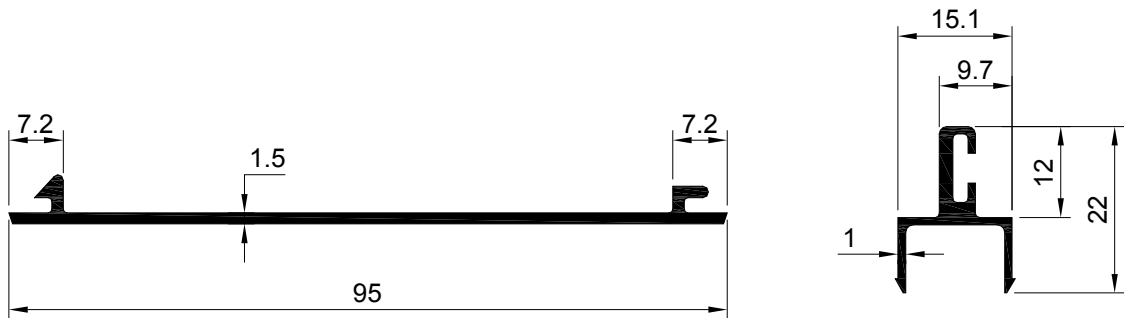


SECTION NO. - SPR - 207
EST. WEIGHT - 0.555 KG./M.

100mm Shopfront

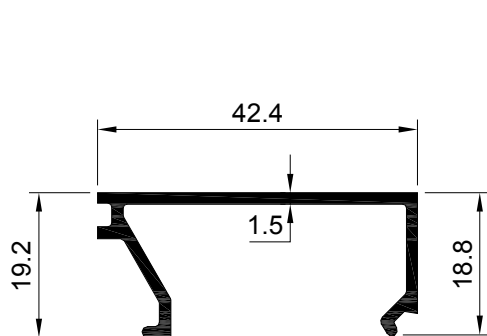


SECTION NO. - SPR - 208
EST. WEIGHT - 0.810 KG./M.

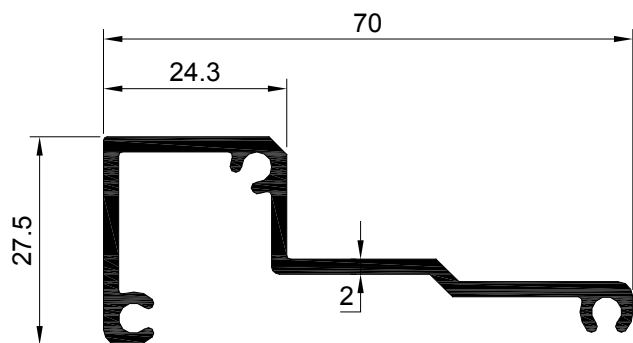


SECTION NO. - SPR - 209
EST. WEIGHT - 0.437 KG./M.

SECTION NO. - SPR - 211
EST. WEIGHT - 0.185 KG./M.



SECTION NO. - SPR - 210
EST. WEIGHT - 0.353 KG./M.



SECTION NO. - SPR - 212
EST. WEIGHT - 0.708 KG./M.

3D Assembly Detail Of 100mm Shopfront

